

RP-C2 High Speed Reciprocating Motor Operator



CP **CLEAVELAND / PRICE INC.**

14000 Rt. 993, Trafford, PA 15085 (724) 864-4177

FAX (724) 864-9040

Email: sales@cleavelandprice.com

Type RP-C2 Motor Operator

The Cleaveland/Price RP-C2 is a high force, high speed reciprocating motor operating mechanism designed to operate loadbreak switches within distribution substations.

The RP-C2 design is similar to the Cleaveland/Price BR switch operator for line switch applications except it uses a power source within the distribution substation. The RP-C2 offers pure linear operating motion for safe, smooth up and down action with no pinch points or swinging lever. It is a versatile operator that can be used on any manufacturer's switch that requires a reciprocating action.

The motor operator has five stroke settings from 7.75" to 13.5". The stroke can be factory set or field set to match switch operating pipe travel. The available speeds of the RP-C2 range from 0.5 sec. to 1.2 sec., traveling from full open to full closed position. The speed is dependent upon switch stroke and thrust requirements.

Operators with a greater thrust rating and slower speed should be selected for switches rated 34.5 kV and above. This is particularly applicable for installations where ice breaking is required and environments where the ambient temperature is less than -23°C (-10°F).



RP-C2 Exterior Features

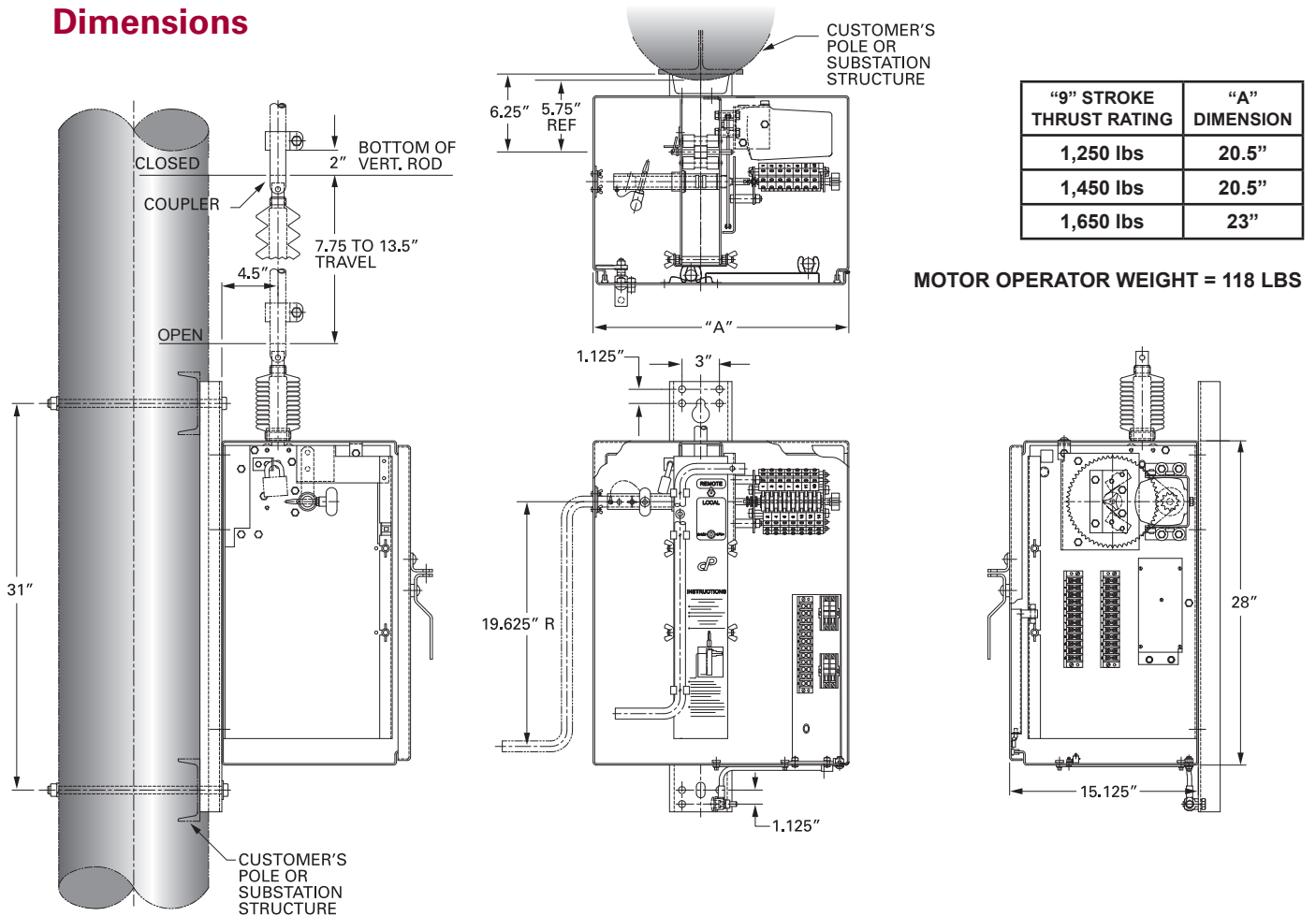
- Powder-coated marine grade aluminum enclosure with stainless steel hinge
- Stainless steel padlockable door handle
- Fully gasketed door with interior pocket
- Ground clamp
- Removable conduit plate
- UV and ozone resistant shaft sealing bellows
- Galvanized steel pipe/rod coupler

RP-C2 Operational Features

- Local/Remote switch
- Open/Close switch
- Fused and surge protected solid-state control circuit
- Maintenance-free 3/4hp motor
- Dynamic braking
- Auxiliary switch contacts
- In-toggle drive mechanism that prevents operating pipe back-travel
- Manual operating handle with storage position electrical interlock
- Internal decoupling pin
- Lockout provision
- Thermostatically controlled 250 watt anti-condensation heater with safety touch guard



Dimensions



Operating Specifications

| | Catalog Number | Rated Voltage | Min. Operating Voltage | Max. Operating Voltage | Lbs. Thrust with 9" stroke* | Typical Running Current | Locked Rotor Current | Operating Time |
|----|----------------|---------------|------------------------|------------------------|-----------------------------|-------------------------|----------------------|----------------|
| DC | C11B002G09 | 24 V. | 22 V. | 31 V. | 1250 | 40 A. | 110 A. | 0.5 sec. |
| | C11B002G10 | | | | 1450 | | | 0.8 sec. |
| | C11B004G01 | | | | 1650 | | | 1.2 sec. |
| | C11B002G07 | 48 V. | 36 V. | 56 V. | 1250 | 20 A. | 55 A. | 0.5 sec. |
| | C11B002G08 | | | | 1450 | | | 0.8 sec. |
| | C11B004G02 | | | | 1650 | | | 1.2 sec. |
| | C11B002G01 | 125 V. | 90 V. | 140 V. | 1250 | 6 A. | 35 A. | 0.5 sec. |
| | C11B002G04 | | | | 1450 | | | 0.8 sec. |
| | C11B004G03 | | | | 1650 | | | 1.2 sec. |
| | C11B002G11 | 250 V. | 180 V. | 280 V. | 1250 | 4 A. | 11 A. | 0.5 sec. |
| | C11B002G12 | | | | 1450 | | | 0.8 sec. |
| | C11B004G04 | | | | 1650 | | | 1.2 sec. |
| AC | C11B002G02 | 120 V. | 90 V. | 140 V. | 1250 | 6 A. | 20 A. | 0.5 sec. |
| | C11B002G05 | | | | 1450 | | | 0.8 sec. |
| | C11B004G05 | | | | 1650 | | | 1.2 sec. |
| | C11B002G03 | 240 V. | 180 V. | 254 V. | 1250 | 3 A. | 10 A. | 0.5 sec. |
| | C11B002G06 | | | | 1450 | | | 0.8 sec. |
| | C11B004G06 | | | | 1650 | | | 1.2 sec. |

* Note: Thrust rating will be greater for stroke distances less than 9" and less for stroke distances greater than 9"

Standard Features

- Weatherproof, dustproof, and rustproof NEMA 3R enclosure
- Padlockable stainless steel enclosure handle
- Removable conduit entrance plate
- Handle for manual operation
- Local/remote control
- Dynamic braking for electrical stop
- Fused control and motor circuit
- Thermostatically controlled 250 watt heater
- Two auxiliary switch contacts for customer use
- Coupler for 1" diameter rod or 1.25" IPS pipe

Optional Features

- Additional auxiliary switch contacts
- Switch position indicating lights
- Operations counter
- Weatherproof external GFI
- Enclosure lamp
- Customer specified terminal blocks
- Custom control circuit
- Stainless steel enclosure
- NEMA 4X rated enclosure
- Operation time delay with delay in progress indicator
- Circuit breaker instead of fuse
- True switch position indicating contacts
- Internal grounding bus
- Humidistat
- Other optional features are available. Contact the factory for more information.

Ordering Information

Customer must specify:
 Control voltage _____ v. AC or DC
 Stroke distance _____ inches
 Thrust rating _____ lbs. (at 9")
 Heater voltage _____ v.
 Desired optional features